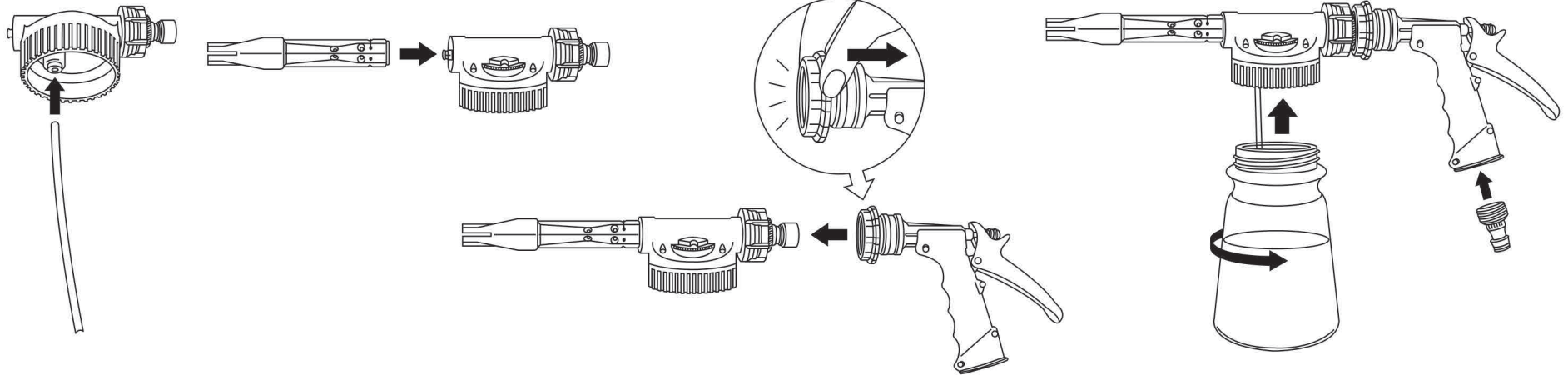


# Foam King

## ● Assembly

Clean Car USA model no. FK-071

1. Plug the siphon pipe (7) into the connector (A) of compressed-air pipe under the mixing head (7).
2. Align four small protuberant parts of foaming stick (6) with four grooves of mixing head (5), and then insert the foaming stick into (B).
3. Install the quick coupling of pistol grip (1) onto the quick connector of mixing head (5) tightly.
4. Tighten the quick connector (2) and then attach it to the pistol grip.
5. Fill an amount of detergent into the bottle and affix the bottle to the mixing head.



## ● Usage

1. Please read the instruction manual carefully and assemble the Foam King properly.
2. Add correct amount of washing fluid. (The capacity of the bottle is 900ml.)
3. Assemble the Hose Kit to the tap water pipe and Foam King according to the diagram.
4. Adjust the graduation according to the ratio.
5. Turn on the tap water faucet.
6. Hold the controlling pole of Foam King with nozzle aiming at the object and spray foam.
7. After disassembly, make sure to wash the Foam King bottle.

## ● Warnings

1. When connected with the tap water faucet, please insure a tight connection to avoid any leaks.
2. Disconnect the Hose Kit from the water faucet and Foam King when not in use.
3. Use only car detergents
4. Pay attention to any possible leaks, and make sure the hose is secured tightly.

## ● Maintenance

- In order to avoid failures, the Foam King must be cleaned after use.
1. Fill clean water into the bottle to clean the mixing head a few minutes.
  2. To prevent the coagulation of detergent after drying, please clean the mixing head after immersion in water.